



# SMOKEY JOE® GOLD & PLATINUM

18½ inch  
(47 cm)  
Platinum

14½ inch  
(37 cm)  
Gold



55399

# 2

## GOLD / PLATINUM

5 -



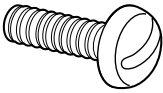
4 -



4 -



4 -



2 -



1 -



1 -



1 -



### Smokey Joe® Gold

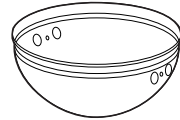
1 -



1 -



1 -



3 -



### Smokey Joe® Platinum

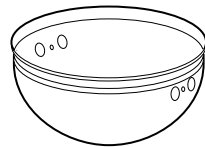
1 -



1 -



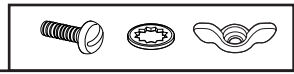
1 -



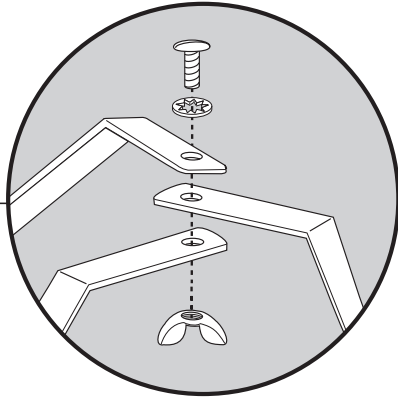
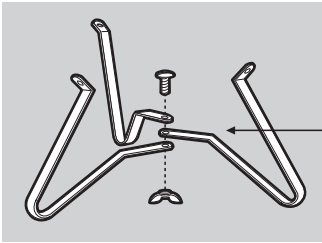
3 -



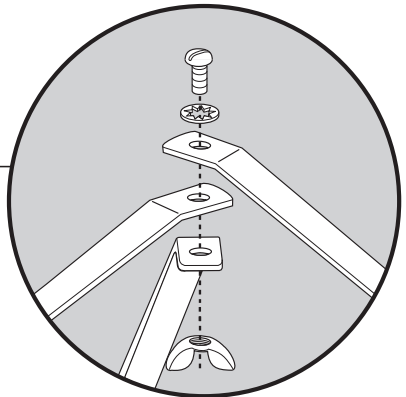
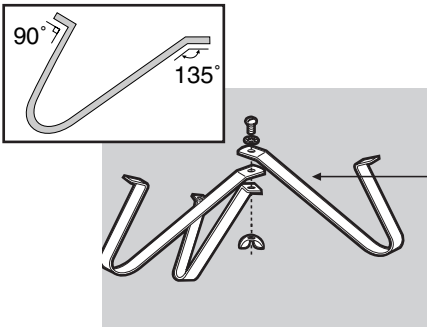
1



Gold



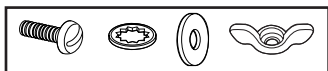
Platinum



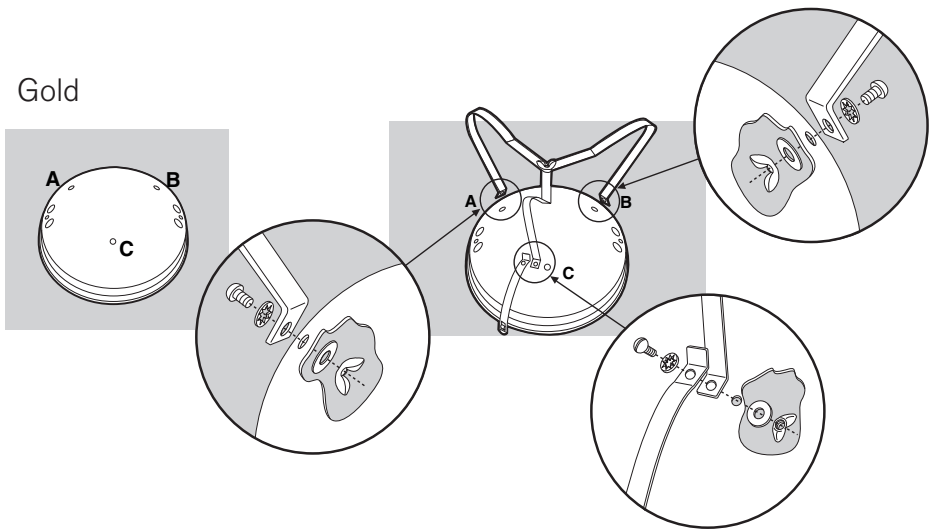
# 4

# GOLD / PLATINUM

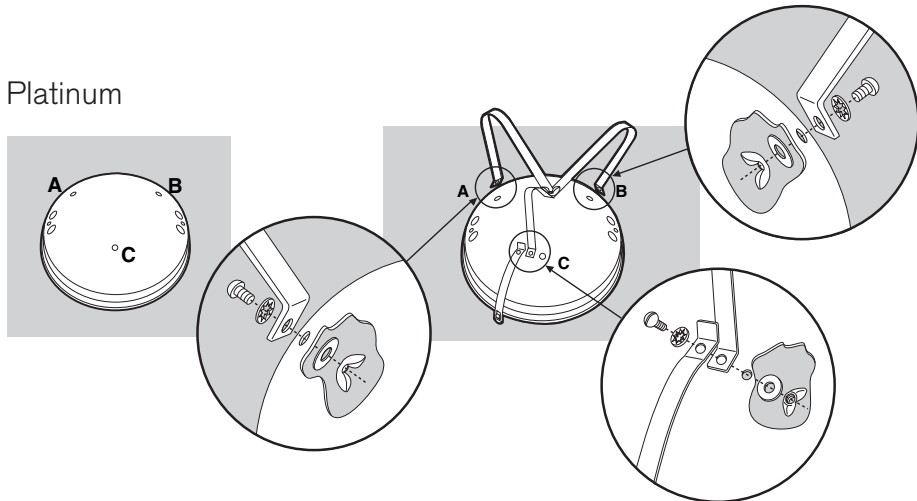
2



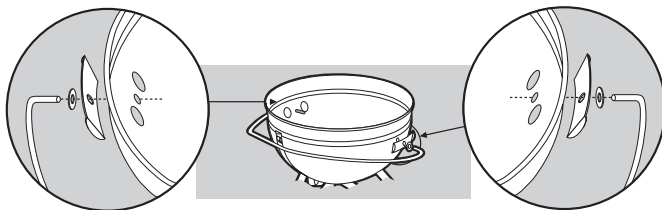
Gold



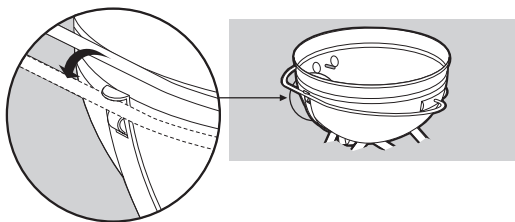
Platinum



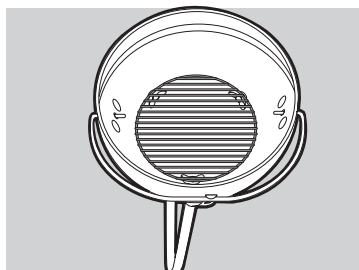
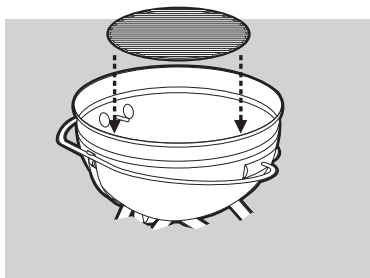
3



4



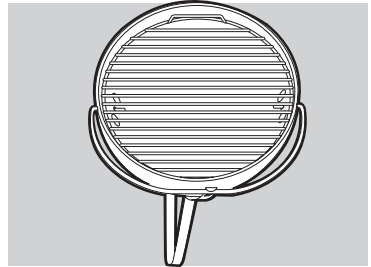
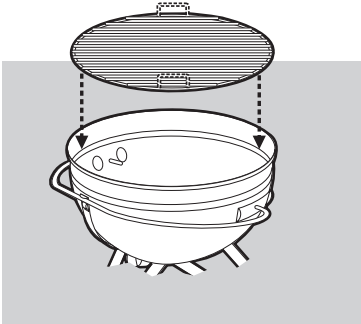
5



# 6

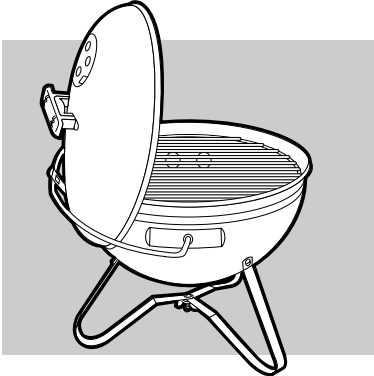
# GOLD / PLATINUM

6

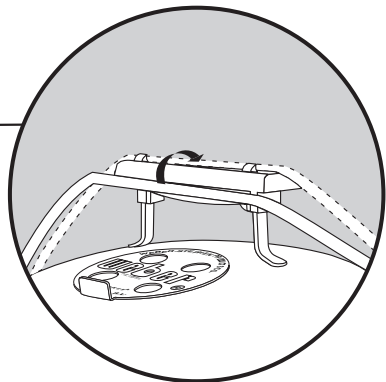
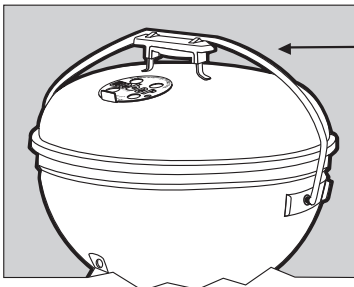
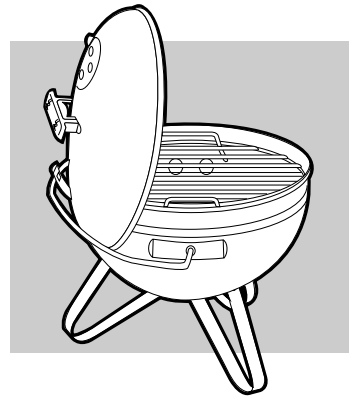


7

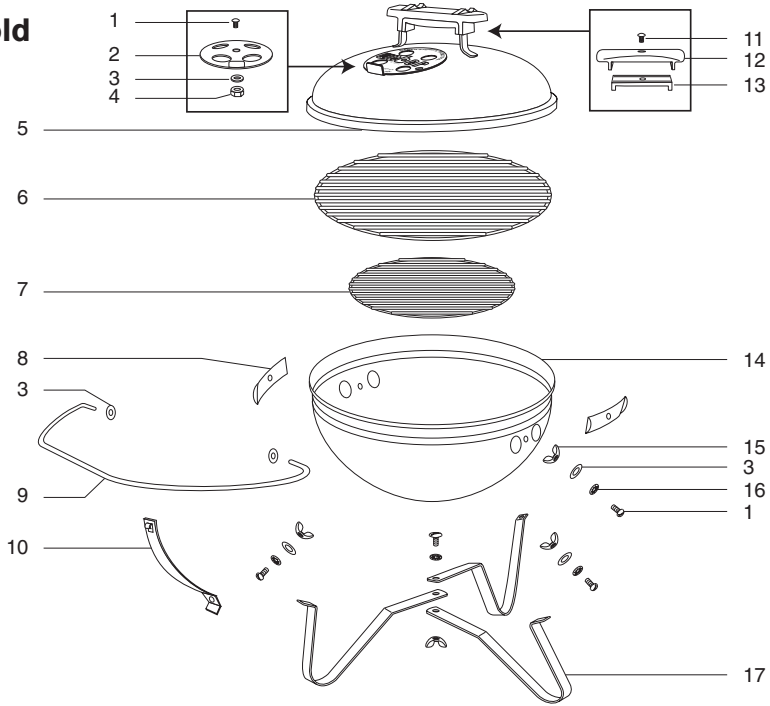
Gold



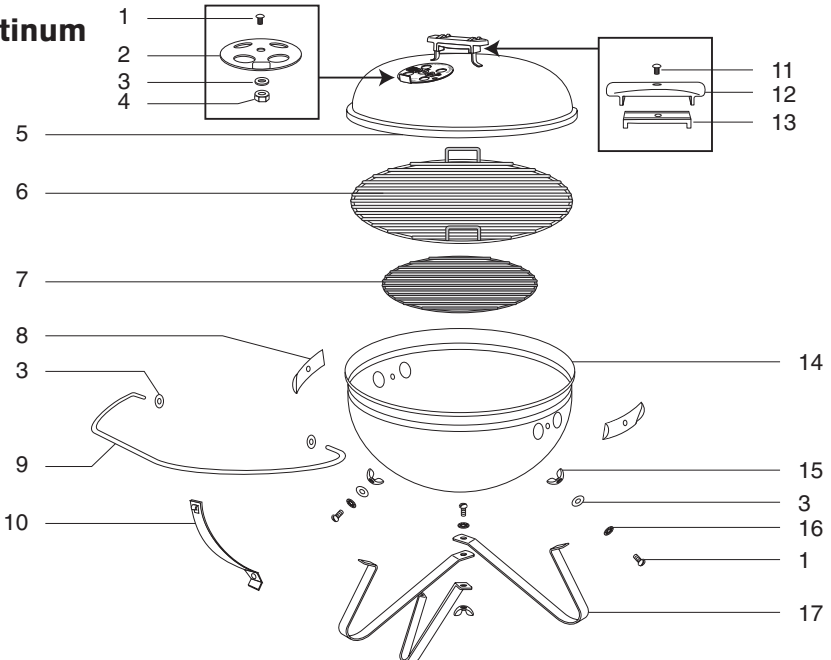
Platinum



## Gold



## Platinum





WEBER-STEPHEN PRODUCTS CO.

[www.weber.com](http://www.weber.com)<sup>®</sup>

©2003 The following trademarks are registered in the name of Weber-Stephen Products Co., an Illinois corporation, located at 200 East Daniels Road, Palatine, Illinois 60067 U.S.A. Australia; Smokey Joe, Weber, Kettle Silhouette<sup>®</sup>, Genesis, Austria; Kettle Silhouette<sup>®</sup>, Smokey Joe, Weber, Benelux; Kettle Silhouette<sup>®</sup>, Smokey Joe, Weber, Compact Grill Configuration, Botswana; Weber, Canada; Smokey Joe, Genesis, China; Kettle Silhouette<sup>®</sup>, Denmark; Kettle Silhouette<sup>®</sup>, Smokey Joe, Weber, Finland; Smokey Joe, France; Kettle Silhouette<sup>®</sup>, Smokey Joe, Weber, One-Touch, Germany; Smokey Joe, Weber, One-Touch, Greece; Smokey Joe, Ireland; Kettle Silhouette<sup>®</sup>, Smokey Joe, Italy; Smokey Joe, Weber, Japan; Smokey Joe, Weber, Korea; Smokey Joe, Weber, New Zealand; Weber, Smokey Joe, Nigeria; Weber, Norway; Smokey Joe, Weber, Portugal; Weber, South Africa; Smokey Joe, Weber, Kettle Configuration, Spain; Smokey Joe, Weber, Sweden; Kettle Silhouette<sup>®</sup>, Smokey Joe, Switzerland; Kettle Silhouette<sup>®</sup>, Smokey Joe, Weber, United Kingdom; Smokey Joe, Weber, Weber One-Touch, U.S.A.; Kettle Configuration, Kettle Silhouette<sup>®</sup>, Smokey Joe, Weber, One-Touch, Firespice, Go-Anywhere, U.S.A.; Kettle Configuration, Kettle Silhouette, Genesis, Flavorizer, Crossover, Flango, Performer, Rapidfire, Tuck 'N Carry, Jumbo Joe, Bar-B-Kettle, Master-Touch, Spirit, Grill Out, Summit, Platinum, 1-800-Grill-Out, Ranch, Matchless Flame, Zimbabwe; Weber, Kettle Configuration, Kettle Silhouette<sup>®</sup>.